



SPECIFICATION SHEET

PRODUCT TYPE	Magneto-Static hybrid speaker
CATEGORY	Sample
CODE No.	MSH095_01
DATE	2023. 10. 06

G E O D E	DRAWN	CHECK	CHECK	APPR.
	S. J. YOO			
	2023. 10. 06			

CUSTOMER		TEL	-
ADDRESS			

MAKER	Geode Sound	TEL	+82 31 841 5004
ADDRESS	50, Mansam-ro, Yangju-si, Gyeonggi-do, Republic of Korea		

HISTORY SHEET

PRODUCT TYPE	Magneto-Static hybrid speaker	STANDARD	-
		CODE No.	MSH095_01

REV. NO	DATE	REVISION	REVISION REASON	CHECK

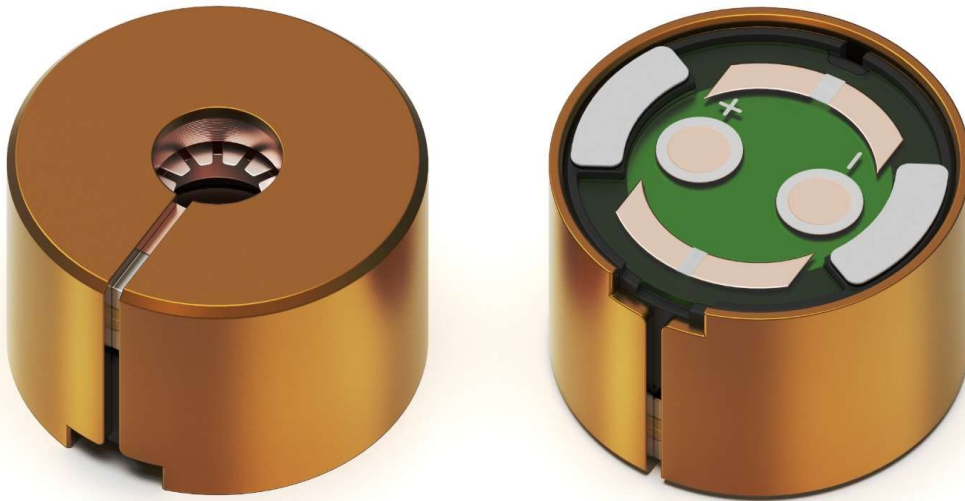


CONTENTS

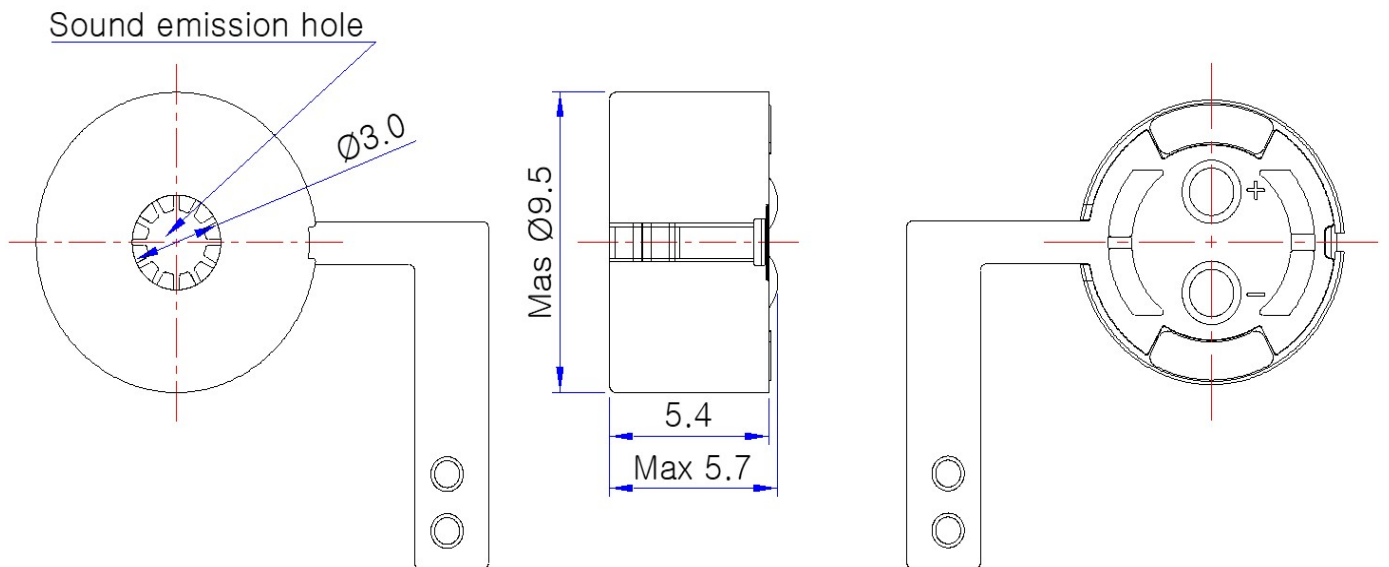
1. Product image
Product drawing
2. Specification
3. Sensitivity Response Curve

GEODE CODE		CUSTOMER CODE	
-----------------------	--	--------------------------	--

Product image



Product drawing



SPECIFICATION

Mechanical Parameters		Min	Typ	Max	Unit	Condition
Dimension	Outside	-	-	Ø9.5	mm	-
	Height	-	-	5.7	mm	-
Weight		-	-	1.3	g	-

Electrical Parameters		Min	Typ	Max	Unit	Condition
Impedance		6.8	8.0	9.2	Ω	1KHz, 220mVrms
Input Power		-	10	20	mW	283/400mVrms
Operation Voltage		-	283	-	mVrms	Sine wave sweep, 100Hz~10KHz

Acoustical Parameters		Min	Typ	Max	Unit	Condition
Frequency Range		20	-	20K	Hz	IEC60318-4 Simulator, 220mVrms
Sensitivity	100Hz	122	125	128	dB	
	1KHz	105	108	111	dB	
	10KHz	109	112	115	dB	
THD	1KHz	-	-	-	%	

Note : Tests shall be conducted under the normal temperature (5~35℃), normal humidity (45~85%) and normal air pressure (860~1060mbar). But if dissidence, the test can be run at temp (20±2℃), opposite humidity (60~70%) and air pressure (860~1060mbar).

Reliability Parameters	Condition
Self Life	Pink noise, 20mW/350mVrms, 48Hrs
Humidity	35℃, 85% RH, 48Hrs
Vibration	10~50~10Hz/min, Amplitude 2mm, x/y/z each 2Hrs

Additional Parameters	Min	Typ	Max	Unit	Condition
Operation Temp Range	-20	-	60	℃	
Storage Temp Range	-40	-	80	℃	

Sensitivity Response Curve

