



SPECIFICATION SHEET

PRODUCT TYPE	MagnetoStatic single speaker
CATEGORY	Sample
CODE No.	MSSF106_01
DATE	2023. 10. 06

G E O D E	DRAWN	CHECK	CHECK	APPR.
	S. J. YOO			
	2023. 10. 06			

CUSTOMER		TEL	-
ADDRESS			

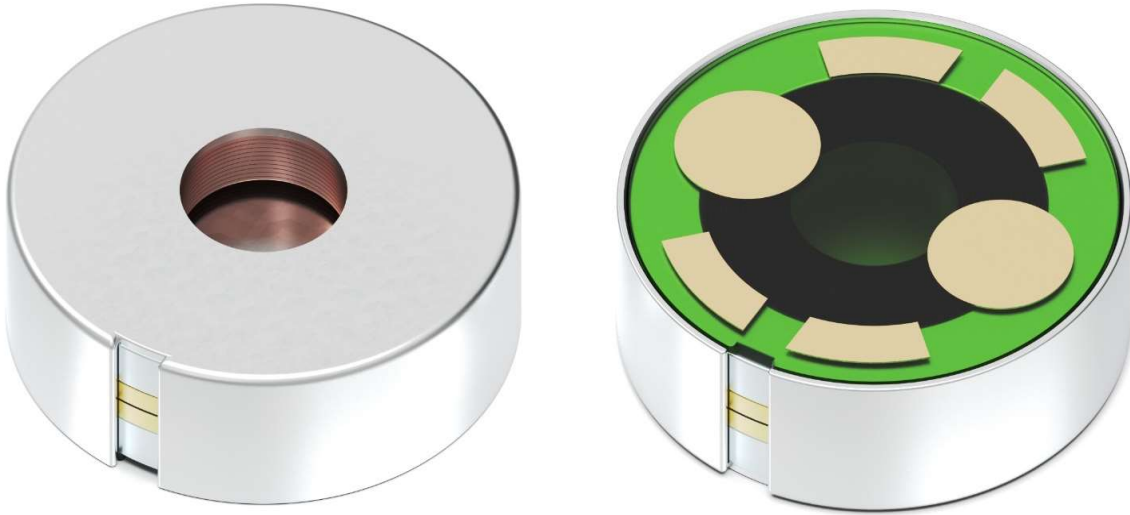
MAKER	Geode Sound	TEL	+82 31 841 5004
ADDRESS	50, Mansam-ro, Yangju-si, Gyeonggi-do, Republic of Korea		

CONTENTS

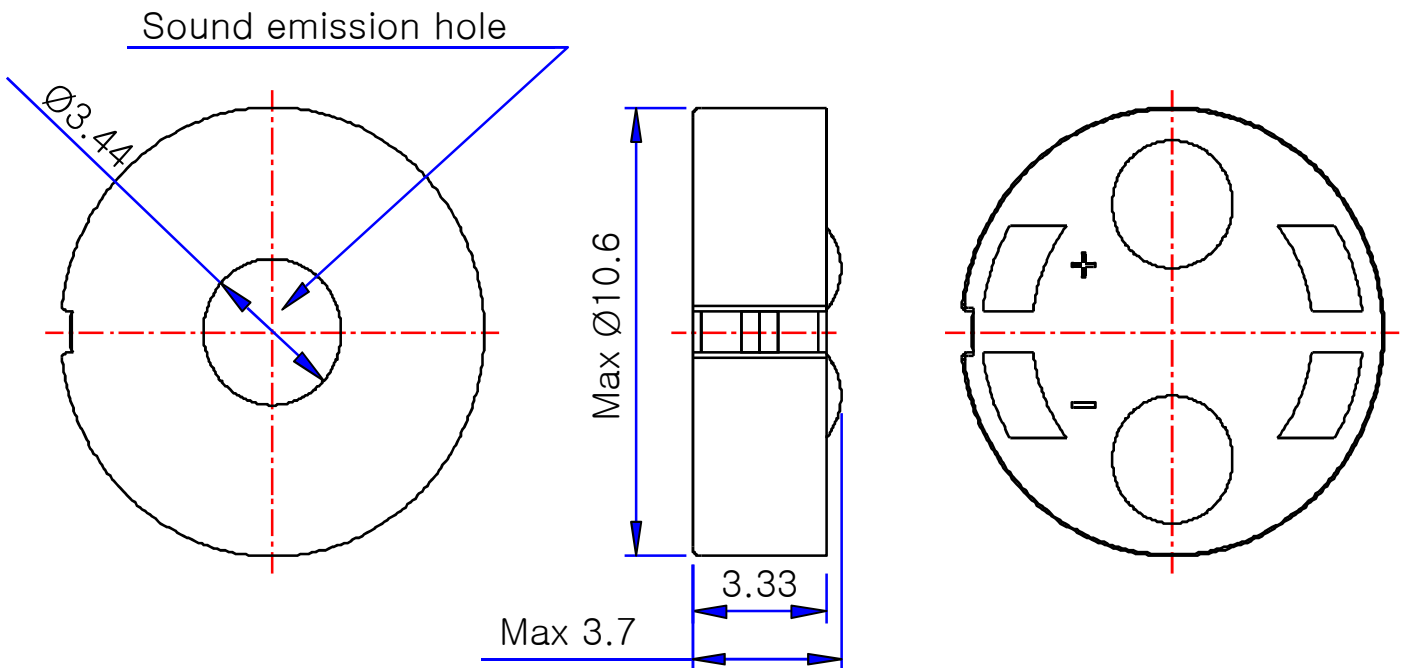
1. Product image
Product drawing
2. Specification
3. Sensitivity Response Curve

GEODE CODE		CUSTOMER CODE	
-----------------------	--	--------------------------	--

Product image



Product drawing



SPECIFICATION

Mechanical Parameters		Min	Typ	Max	Unit	Condition
Dimension	Outside	-	-	Ø10.6	mm	-
	Height	-	-	3.7	mm	-
Weight		-	-	1.3	g	-

Electrical Parameters		Min	Typ	Max	Unit	Condition
Impedance		5.1	6.0	6.9	Ω	1KHz, 220mVrms
Input Power		-	10	20	mW	245/346mVrms
Operation Voltage		-	245	-	mVrms	Sine wave sweep, 100Hz~10KHz

Acoustical Parameters		Min	Typ	Max	Unit	Condition
Frequency Range		20	-	20K	Hz	IEC60318-4 Simulator, 220mVrms
Sensitivity	100Hz	111	114	117	dB	
	1KHz	113	116	119	dB	
	10KHz	105	108	110	dB	
THD	1KHz	-	-	-	%	

Note : Tests shall be conducted under the normal temperature (5~35℃), normal humidity (45~85%) and normal air pressure (860~1060mbar). But if dissidence, the test can be run at temp (20±2℃), opposite humidity (60~70%) and air pressure (860~1060mbar).

Reliability Parameters	Condition
Self Life	Pink noise, 20mW/245mVrms, 48Hrs
Humidity	35℃, 85% RH, 48Hrs
Vibration	10~50~10Hz/min, Amplitude 2mm, x/y/z each 2Hrs

Additional Parameters	Min	Typ	Max	Unit	Condition
Operation Temp Range	-20	-	60	℃	
Storage Temp Range	-40	-	80	℃	

Sensitivity Response Curve

